

MB&F

Horological Machine N°8 Mark 2

Horological Machine N°8 Mark 2

Functions

05

Operating instructions - Winding

07

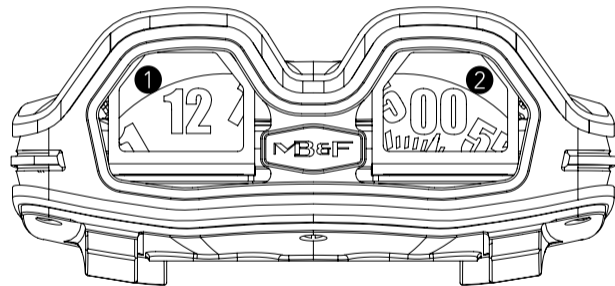
Operating instructions - Time setting

09

Operating instructions - Securing the crown

11

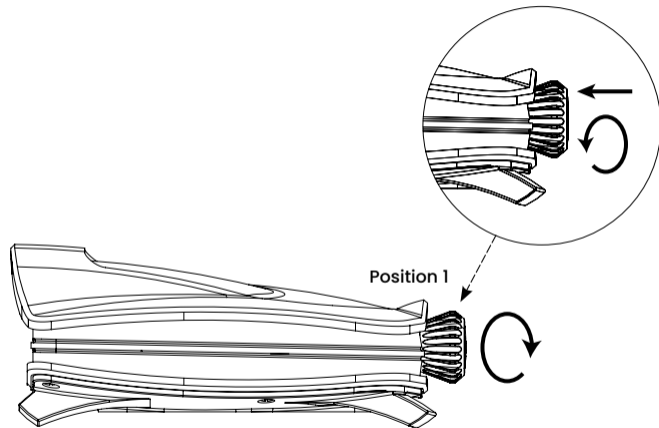
Horological Machine N°8 Mark 2



Functions

- 1 Hour
Bi-directional jumping hour
- 2 Minute

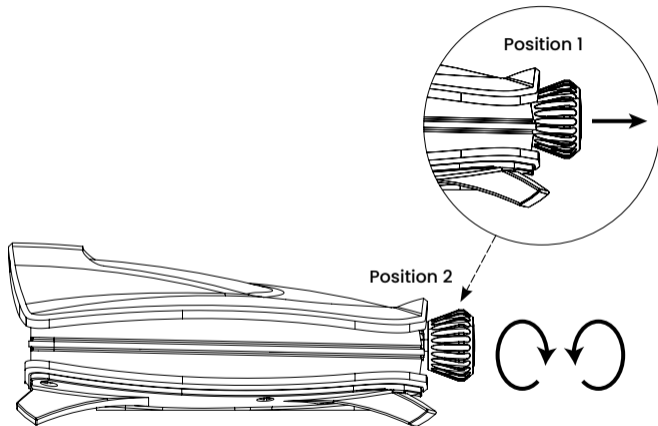
Horological Machine N°8 Mark 2



Operating instructions - Winding

Your watch is equipped with an automatic movement. However, if it does require manual winding – for example, when it is fully unwound – release the crown from its locked position by pushing inwards and turning anti-clockwise; the crown will be released (position 1). When it has been released, wind the crown several turns clockwise.

Horological Machine N°8 Mark 2



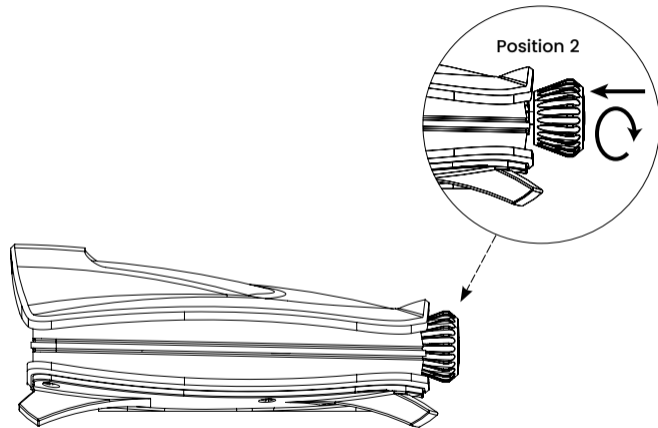
Operating instructions - Time setting

To pull out the crown, push inwards, turn anti-clockwise and release (position 1).

Then pull the crown outwards to set the time (position 2).

The time can be set forwards or backwards by rotating clockwise or anti-clockwise.

Horological Machine N°8 Mark 2



Operating instructions - Securing the crown

Once your winding or time setting operation is complete, lock the crown back in place by pushing it fully inwards and turning it in a clockwise motion.

