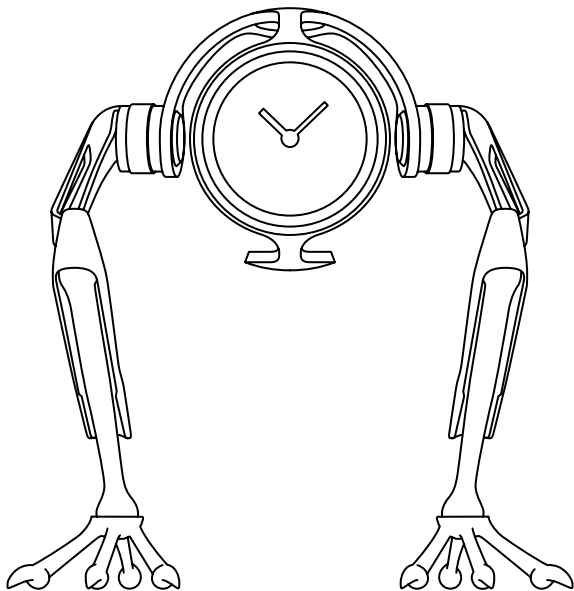


T-REX

USER INSTRUCTIONS



M&F + *L'EPÉE 1839*

CONGRATULATIONS

You have just adopted T-Rex, an advanced timepiece born from the partnership between

La Manufacture **L'Épée 1839** and **MB&F**.

T-Rex has been developed with passion and care by the Master Watchmakers of L'Épée 1839 in Delémont, Switzerland.

CONTENTS

Important information	6
Care and maintenance	8
Winding the movement	9
Reading the time	10
Setting the time	11

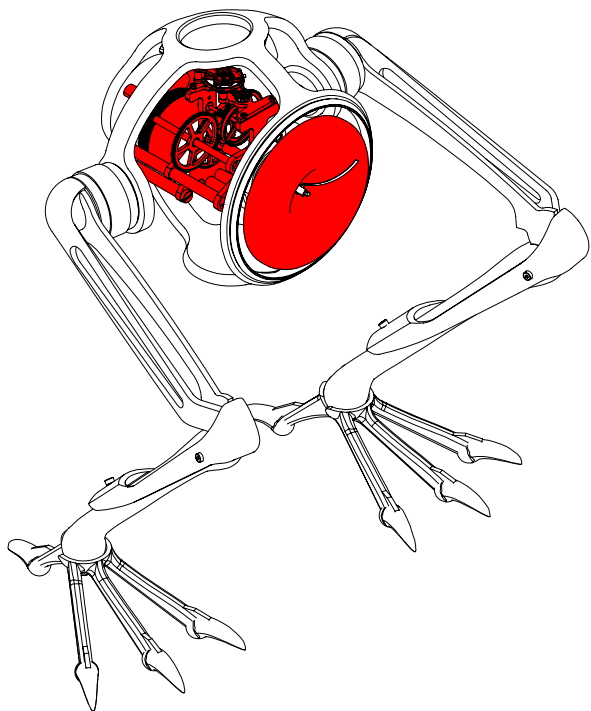
IMPORTANT INFORMATION

Please be very careful to never touch the movement of T-Rex either on the front, on the sides or on the back of the movement, except the time adjustment and the winding tips that can be touched with the winding key.

Furthermore, the movement should never be in contact with any liquids – even in vaporized form. If this occurs, the clock should be serviced immediately.

A simple contact on certain pieces can generate delays in timekeeping, which can only be solved by servicing. Fingerprints will also damage the coating so always wear gloves when manipulating the clock or wipe out the fingerprints.

On the following picture, the only parts which can be cleaned and touched with precautions are those outside of the zone colored in red; in case of intrusions, a service will be needed.



CARE AND MAINTENANCE

Use only a soft and dry cloth to clean the clock. Dust and particles contained in the cloth could scratch parts. Do not use any kind of cleaning products to wipe the clock. It is recommended to keep the clock distant from any source of heat or vibrations. To preserve the longevity and functionality of T-Rex, do not permanently expose the clock to direct sunlight or in a humid/dusty place.

Our clocks are developed to ensure optimal accuracy and reliability. It is well accepted for a fine mechanical clock to have a few seconds' variation per day and our clocks are set so as not to delay. However, if you should notice a bigger variation, please contact an authorized dealer who will advise you, or a L'Épée 1839 technical support center which will proceed with the necessary adjustment.

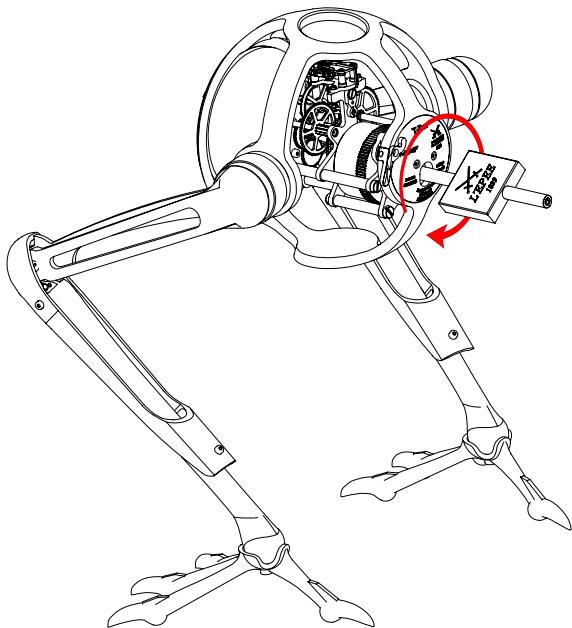
As for all Horological pieces of art, it is recommended to periodically service your clock. A mechanical masterpiece requires fine oils for the lubrication of the movement. These oils deteriorate over the years. We therefore advise having the movement serviced every 3 to 5 years. Be aware that the optimal period between servicing times can vary depending on the surrounding environmental conditions.

It is recommended not to hold T-Rex only by one "leg", or by the top parts, but only by its two legs together. **DO NOT HOLD THE CLOCK BY ONE LEG ONLY**

WINDING THE MOVEMENT

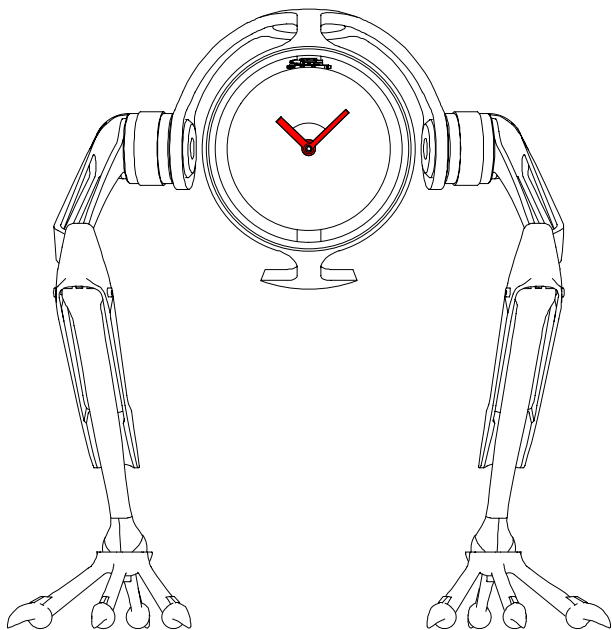
Insert the key at the back of the piece, on the axis of the barrel.

The movement should be fully wound every 8 days. Be sure to wind up the spring completely. Wind T-Rex until you feel that the necessary force increases significantly; do not wind further as this is the sign that the movement is fully wound.



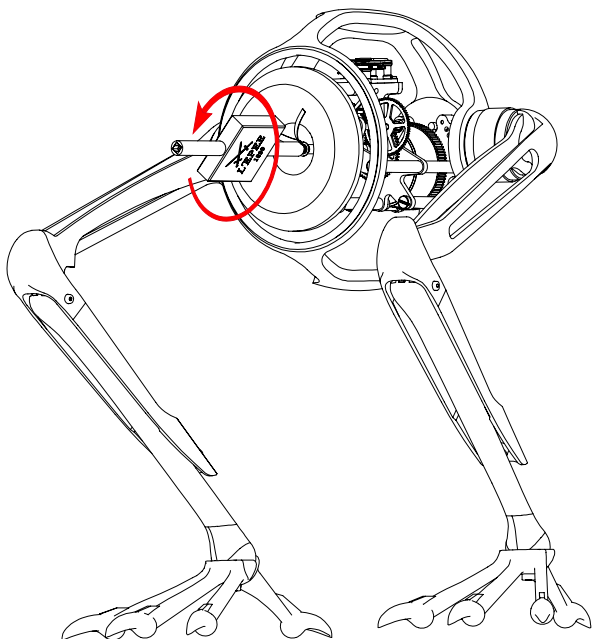
READING THE TIME

The hours and minutes are indicated by the two hands at the center of the dial.



SETTING THE TIME

Insert the key in front of the piece, in the center of the dial, and turn the key anti-clockwise in order to set the time.



L'ÉPÉE 1839
Manufacture Horlogère

Rue St-Maurice 1 - P.O. Box 973
2800 Delémont
Switzerland
Tel. +41 (0)32 421 94 00

After Sales Services :
sav@swiza.ch
Tel. +41 (0)32 421 94 05

www.lepee1839.com