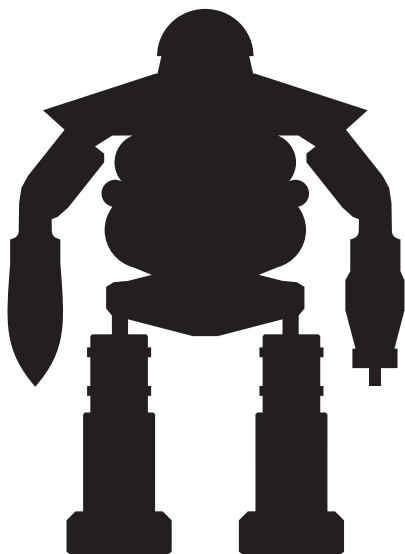


MELCHIOR

USER INSTRUCTIONS



MB&F by *L'EPEE 1839*

CONGRATULATIONS

You have just acquired one of the most advanced timepieces born from a partnership between

La Manufacture L'Épée 1839 and MB&F.

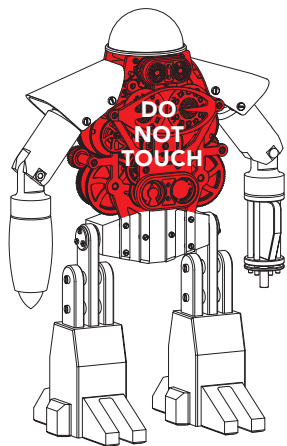
Melchior has been developed with passion and care by our Master Watchmakers in Delémont-Switzerland.

IMPORTANT INFORMATION

Please, be very careful to never touch the movement of Melchior either on the front or on the back of the movement, except with the winding key.

Furthermore, the movement should never be in contact with any liquids – even in vaporized form. If this occurs, the clock should be serviced immediately.

A simple contact on certain pieces can generate delays in timekeeping, which can only be solved by servicing. Fingerprints will also damage the coating.



On the following picture, the only parts which can be cleaned and touched are those outside of the zone colored in red; in case of intrusions, a service will be needed.

CARE AND MAINTENANCE

Use only a soft and dry cloth to clean the clock. Dust and particles contained in the cloth could scratch parts. Do not use any kind of cleaning products to wipe the clock. It is recommended to keep the clock distant from any source of heat or vibrations. To preserve the longevity and functionality of Melchior, do not permanently expose the clock to direct sunlight or in a humid or dusty place.

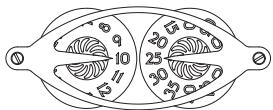
Our clocks are developed to ensure optimal accuracy and reliability. It is well accepted for a fine mechanical clock to have a few seconds' variation per day and our clocks are set so as not to delay. However if you should notice a bigger variation, please contact an authorized dealer who will advise you, or a L'Épée 1839 technical support center which will proceed with the necessary adjustment.

As for all Horological pieces of art, it is recommended to periodically service your clock. A mechanical masterpiece requires fine oils for the lubrication of the movement. These oils deteriorate over the years. We therefore advise having the movement serviced every 5 years. Be aware that the optimal period between servicing times can vary depending on the surrounding environmental conditions.

HOURS AND MINUTES DISPLAY

Reading the time

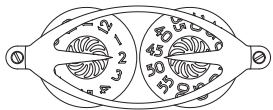
The hours and minutes are indicated by the arrows of the shield, pointing on the hours and minutes dials.



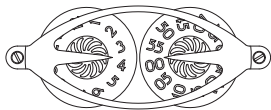
In this example, it is twenty-five minutes past ten (10:25).

Special rotation of the hours dial

A new mechanism has been developed especially for Melchior. The hours dial stays in the same position during the first 55 minutes of an hour; then the dial starts to turn slowly and regularly (no jump) during the last 5 minutes of the hour; to finally stop exactly at the beginning of the next hour. This process is repeated every hour.



In this example it is forty-seven minutes past two (2:47). The hours dial has not moved.



Here it is fifty-eight minutes past three (3:58). The hours dial has started to turn.

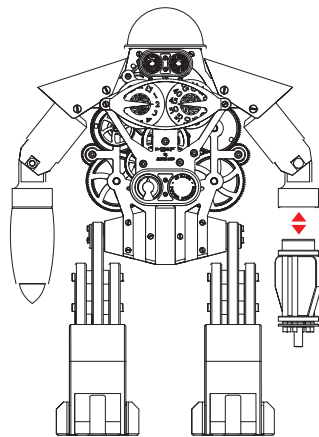
THE KEY

The key is fixed on Melchior's left arm with a magnetic system.

To remove the key, place Melchior on a flat surface and pull the key straight out from its left arm.

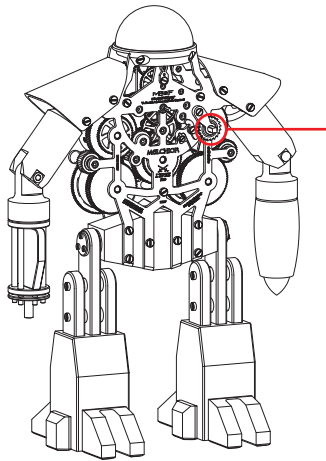
Be careful to hold the top of the arm to ensure that Melchior does not tip over or fall.

To put the key back, approach the key always straight towards the compartment, until the key is attracted back into place by the magnetic system.



WINDING THE MOVEMENT

Place the clock on a flat surface and insert the key in Point A, using the larger diameter end of the key (see diagram). Wind the movement with anti-clockwise rotations. The movement's five barrels should be fully wound every 40 days. Be sure to wind up the spring completely. During the process, you will see the movement's wheels moving, allowing all five barrels to be wound up as they are coupled. At the end of the winding procedure, you will feel the necessary force increase significantly; do not wind further as this is the sign that the movement is fully wound.

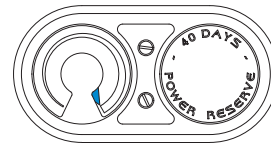


(A) Winding (movement)
Anti-clockwise only

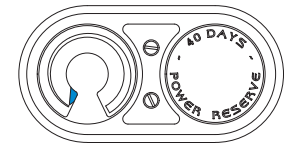
The Power Reserve Indicator

The dial on the left provides an intuitive view of the energy remaining in the movement. It turns 300°, acting as a gauge.

Fully wound, the marker rotates towards the right of the gauge. During the next 40 days, the power reserve indicator will progressively rotate anti-clockwise to finally end on the left of the gauge. This indicates that the clock needs to be wound again.



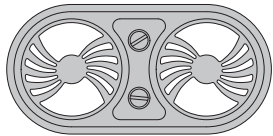
Fully wound
40-day power reserve



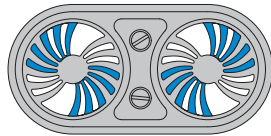
After 40 days
The clock must be wound up

The Double Retrograde Second

The double retrograde second (in red) symbolizing two eyes, is revealed gradually from behind the eyes-shield, before returning under the shield. This process is repeated in cycles of 20 seconds. Please make sure nothing touches the retrograde second function.



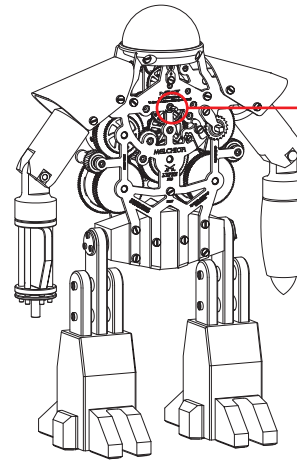
Starting position



Final position

SETTING THE TIME

Place the clock on a flat surface. Insert the key in Point B on the diagram, using the smaller diameter end of the key. Turn the key anti-clockwise only in order to set the time.



(B) Time setting
Anti-clockwise **only**,
as indicated by
the arrow on the plate

L'Épée Manufacture

Rue St-Maurice 1- P.O. Box 973

2800 Delémont-Switzerland

T +41 (0)32 421 94 00

After Sales Service:

T +41 (0)32 421 94 05

www.lepee-clock.ch