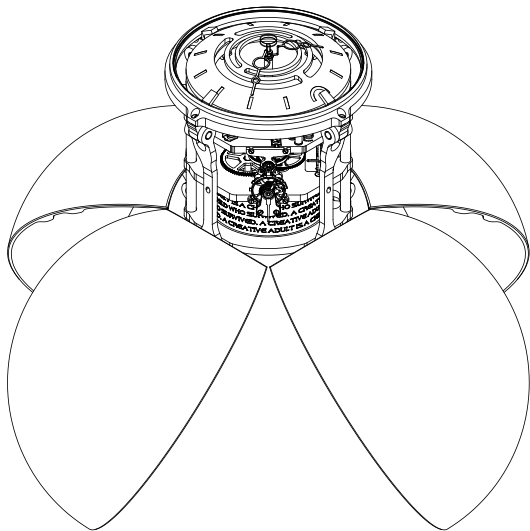


# ORB

## USER INSTRUCTIONS



**MB&F** + *L'ÉPÉE 1839*

## CONGRATULATIONS

Congratulations, you have just adopted your ORB,  
created from a partnership between

La Manufacture **L'Épée 1839** and **MB&F**.

ORB has been developed with passion  
and care by our master watchmakers in Delémont – Switzerland

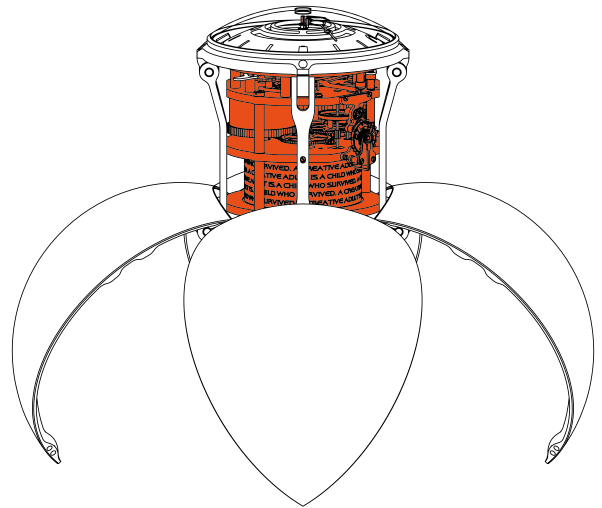
## **CONTENTS**

Important information	7
Care and maintenance	9
Winding the movement	12
Setting the time	15
Winding the striking hour	17
Activating the striking hour	18

## IMPORTANT INFORMATION

**PLEASE BE VERY CAREFUL TO NEVER TOUCH THE MOVEMENT OF ORB: RISK OF DAMAGE.**

**NEVER TOUCH THE COMPONENTS COLORED IN ORANGE IN THE FOLLOWING PICTURE.**



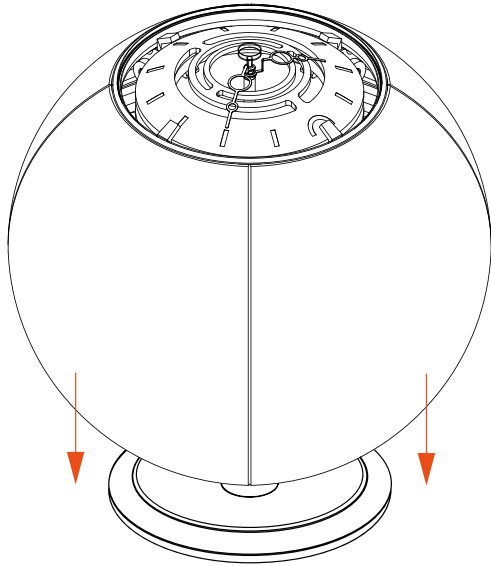
## CARE AND MAINTENANCE

Dust and particles contained in cloth can scratch parts. Therefore, make sure to only use a soft, dry cloth to clean the movement and do not use any kind of cleaning products. It is recommended to keep the clock away from any source of heat or vibrations. ORB's elytra are covered with handmade lacquer, please use polish in case of scratches. To preserve the longevity and functionality of ORB, do not permanently expose the clock to direct sunlight or place it in a humid/dusty place.

Our clocks are developed to ensure optimal accuracy and reliability. It is acceptable for a fine mechanical clock to have a variation of a few seconds per day, although our clocks are set so as not to lose time. However, if you should notice a bigger variation, please contact an authorized dealer, or a L'Épée 1839 technical support center, who will be able to advise you and/or make the necessary adjustment.

As for all horological pieces of art, it is recommended to periodically service your clock. A mechanical masterpiece requires fine oils for the lubrication of the movement. These oils can deteriorate over the years. We therefore advise having the movement serviced every 5 years. Be aware that the optimal period between servicing times can vary depending on the surrounding environmental conditions.

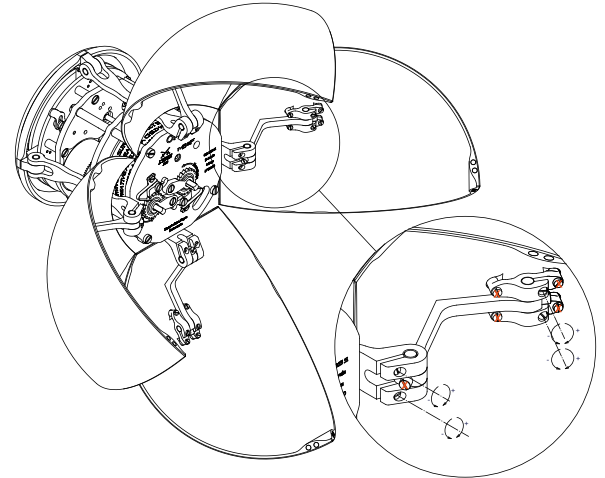
Please note that ORB can only stand by itself when its four elytra are opened. When the clock is closed or half opened, it must always stand on its saucer, or it is at risk of falling over.



ORB's four elytra are soldered to the structure with torque hinges. If necessary, you can tighten the elytra yourself, or ask a watchmaker to make the adjustment for you.

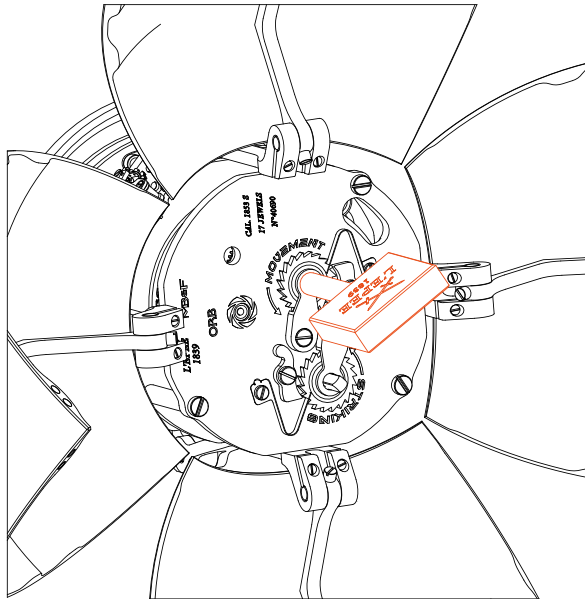
Once ORB is fully opened, insert a screwdriver (see diagram below) and turn clockwise to tighten the screw. Torque hinges must be adjusted in pairs to avoid asymmetry.

Do not touch or screw the components colored in orange.

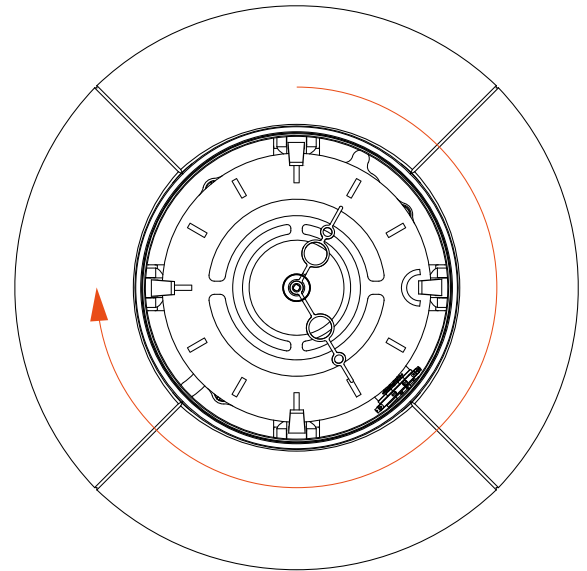


## WINDING THE MOVEMENT

The four elytra must be fully opened. Carefully hold the clock in your hands and tilt it downwards (elytra upwards). Insert the large key at the bottom of the piece on the axis of the barrel (hole in the middle with the larger diameter).

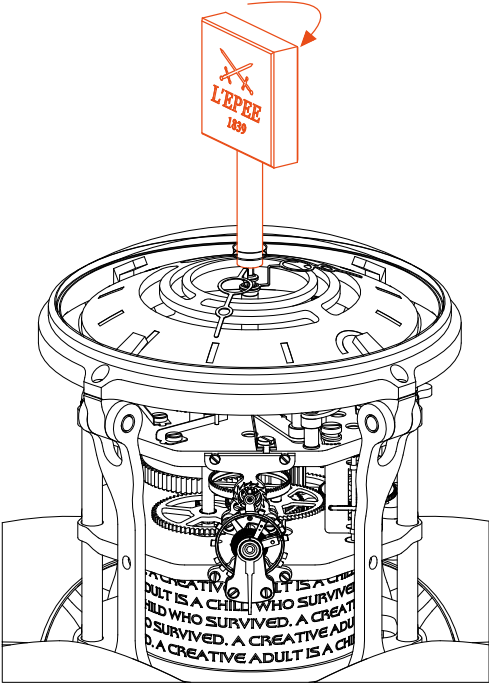


Wind clockwise (from the top view) until you feel that the necessary force increases significantly; do not wind further as this is the sign that the movement is fully wound. You need to wind your ORB every 8 days.



# SETTING THE TIME

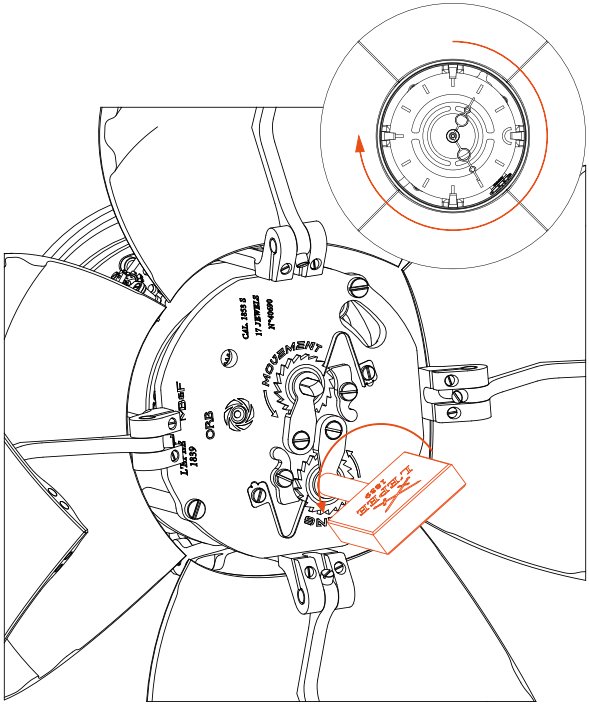
Once ORB is fully opened and standing on its four elytra, insert the small key at the top of the piece (hole in the middle with the larger diameter).





# WINDING THE STRIKING HOUR

Once you have opened all four elytra, tilt the clock carefully by holding it in your hands, the bottom of the clock facing you. Insert the large key at the bottom of the piece (in the off-centre hole with the smallest diameter) and turn the key clockwise (from the top view) to wind the striking hour.





**L'ÉPÉE 1839**  
**Manufacture Horlogère**

Rue St-Maurice 1 - P.O. Box 973  
2800 Delémont  
Switzerland  
Tel. +41 (0)32 421 94 00

After Sales Services :  
sav@swiza.ch  
Tel. +41 (0)32 421 94 05

[www.lepee1839.com](http://www.lepee1839.com)