

MB&F

HOROLOGICAL LAB

HOROLOGICAL MACHINE N°7 AQUAPOD

HOROLOGICAL MACHINE N°7 AQUAPOD

FUNCTIONS

05

OPERATING INSTRUCTIONS – WINDING

07

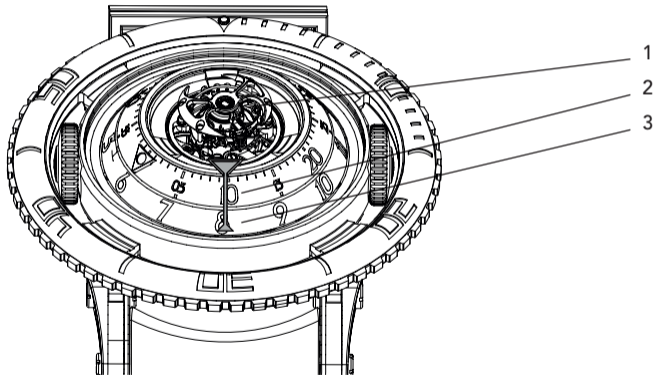
OPERATING INSTRUCTIONS – TIME SETTING

09

UNIDIRECTIONAL ROTATING BEZEL

11

HOROLOGICAL MACHINE N°7 AQUAPOD

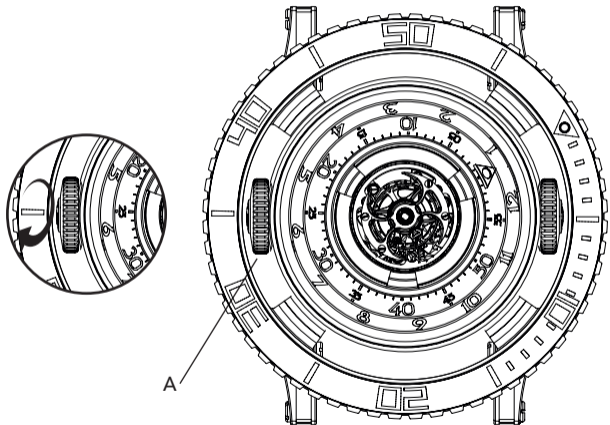


FUNCTIONS

- 1 Flying tourbillon
- 2 Minutes
- 3 Hours

The example on the left indicates 10 minutes past 8 o'clock

HOROLOGICAL MACHINE N°7 AQUAPOD



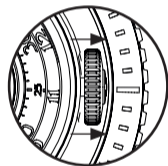
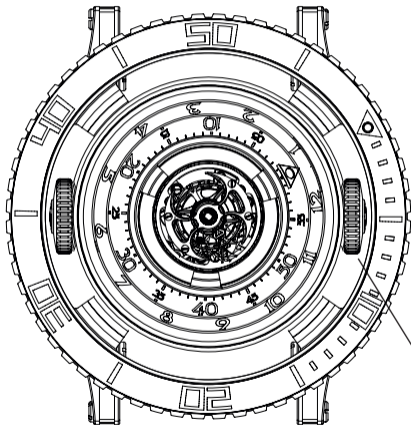
OPERATING INSTRUCTIONS

WINDING

Your watch is equipped with an automatic movement.

If it has stopped, wind the movement by turning the crown A several times clockwise.

HOROLOGICAL MACHINE N°7 AQUAPOD



position 2

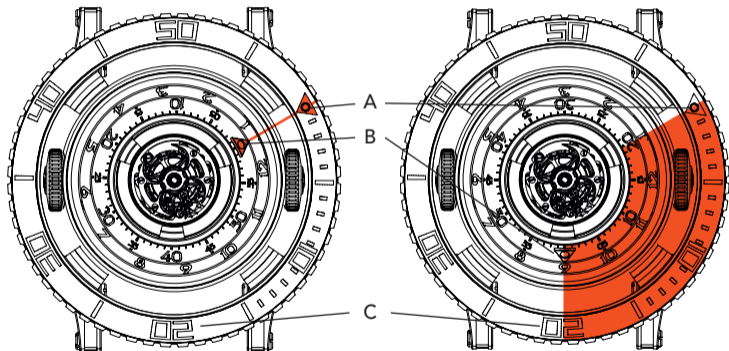
OPERATING INSTRUCTIONS

TIME SETTING

Pull Crown B "out" (*position 2*) and rotate to set the time.

The time can be set forwards or backwards by rotating clockwise or anti-clockwise.

HOROLOGICAL MACHINE N°7 AQUAPOD



UNIDIRECTIONAL ROTATING BEZEL

The unidirectional rotating bezel is functional and displays elapsed time up to 60 minutes. To start measuring elapsed time, rotate the unidirectional bezel until the triangular marker (A) coincides with the matching triangular index of the minutes display (B). From that moment onwards, the triangular minutes index (B) will point to the elapsed minutes as shown on the bezel (C).

Note: HM7 Aquapod is water-resistant to 50m / 150 feet / 5 atm. Professional divers' watches require a minimum water-resistance of 100m / 300 feet / 10 atm.

