

MB&F

HOROLOGICAL LAB

HOROLOGICAL MACHINE N°10 'BULLDOG'

HOROLOGICAL MACHINE N°10 'BULLDOG'

FUNCTIONS

05

OPERATING INSTRUCTIONS WINDING

07

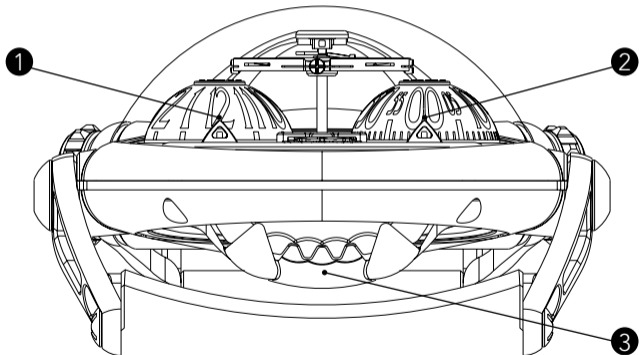
OPERATING INSTRUCTIONS POWER RESERVE

09

OPERATING INSTRUCTIONS TIME SETTING

11

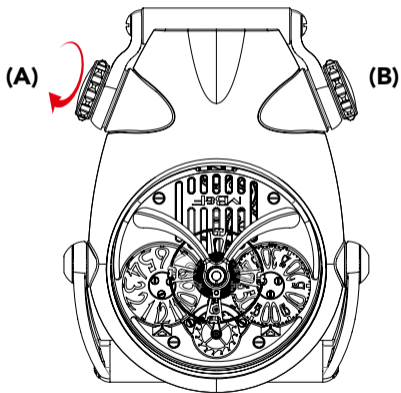
HOROLOGICAL MACHINE N°10 'BULLDOG'



FUNCTIONS

- ① Hours
- ② Minutes
- ③ Power reserve indicator

HOROLOGICAL MACHINE N°10 'BULLDOG'

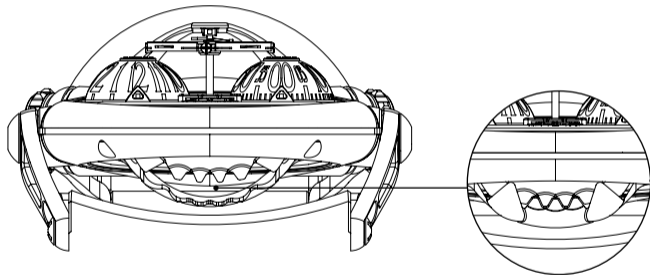


OPERATING INSTRUCTIONS - WINDING

Your watch is equipped with a manual winding movement.

If it has stopped, wind the movement by turning the crown **(A)**
clockwise till the maximum power reserve capacity.

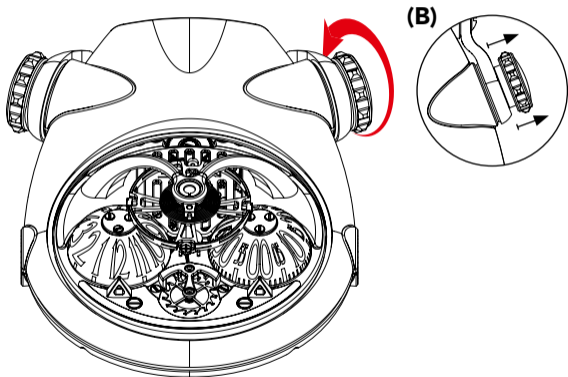
HOROLOGICAL MACHINE N°10 'BULLDOG'



OPERATING INSTRUCTIONS - POWER RESERVE

When the jaw is completely open the capacity is full and when the jaw is closed the capacity is empty.

HOROLOGICAL MACHINE N°10 'BULLDOG'



OPERATING INSTRUCTIONS - TIME SETTING

Pull the crown **(B)** in position "out" and rotate to set the time.

Push the crown back against the case when finished.

