

MB&F

Horological Machine N°11

Horological Machine N°11

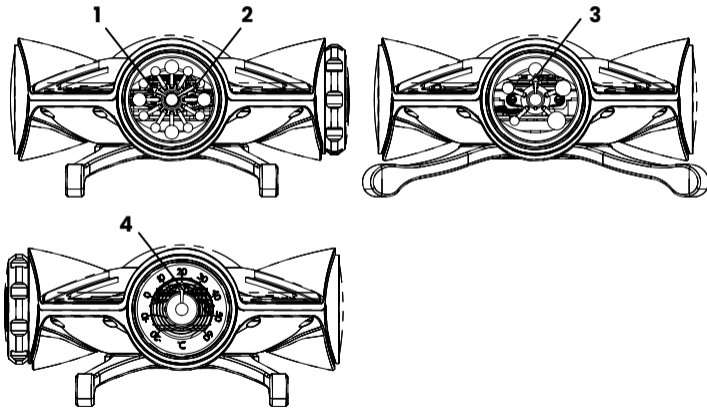
Functions

05

Operating instructions

07

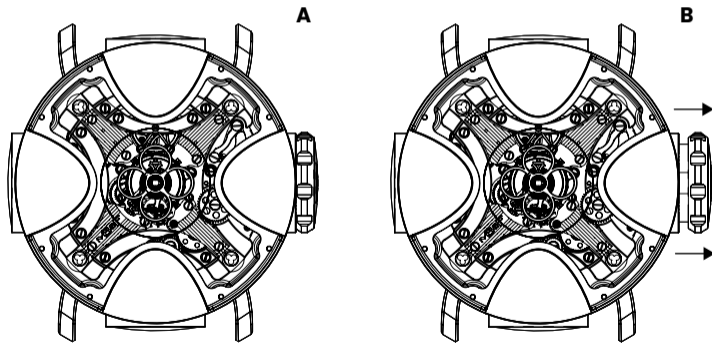
Horological Machine N°11



Functions

- 1 Hour
- 2 Minute
- 3 Power Reserve
- 4 Temperature

Horological Machine N°11

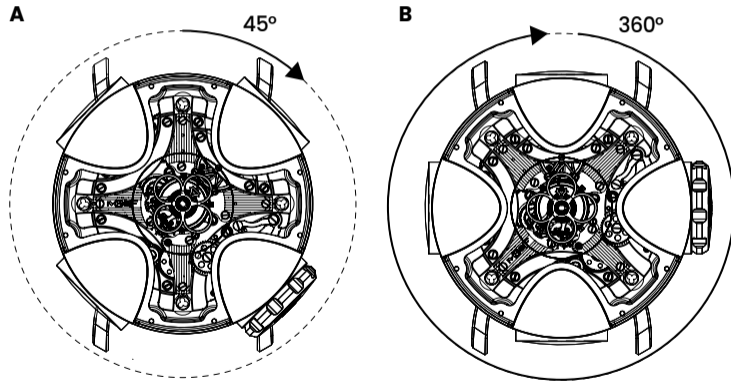


Operating instructions

1. Time setting

Pull the crown to position "out" (B) and turn the crown to set the time. Push the crown back against the case when finished (A).

Horological Machine N°11



Operating instructions

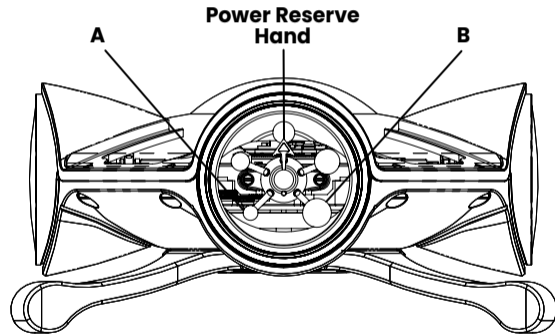
2. Winding

Your watch is equipped with a manual winding movement. Your timepiece will therefore need to be wound up manually to keep running.

Unlike a conventional timepiece, the winding is done by turning the actual watch case in a clockwise motion. Please note that the watch case will stop at every 45 degrees when turning (position A), giving you the option to showcase the chambers as you please.

To fully wind up your movement, turn the case 360 degrees, 10 times (position B). For additional information about the power reserve, please go to page 11.

Horological Machine N°11

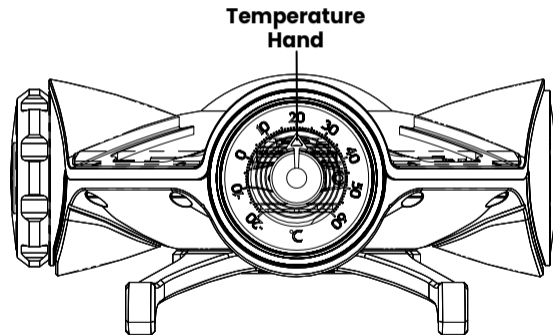


Operating instructions

3. Power reserve

When fully wound-up, your watch has a power reserve of 96 hours (4 days). To check your power reserve, simply observe the hand placement on the five balls. When the marker approaches the first ball (A), your movement needs to be wound-up. When the marker is placed on the last ball (B), your movement is fully charged.

Horological Machine N°11



Operating instructions

4. Temperature

The temperature can easily be checked thanks to the temperature dial of the watch.

Simply check the hand placement and the indicator in Celsius or Fahrenheit (depending on your watch).

Please note that body temperature and clothes can interfere with the measurement and skew the result.

For an optimal result, please make sure to remove the watch from the wrist and let it rest on a flat surface for 30 minutes before checking the temperature.

