

MB&F

HOROLOGICAL LAB

HM3 FROG X

HM3 FROG X

FUNCTIONS

05

OPERATING INSTRUCTIONS

07

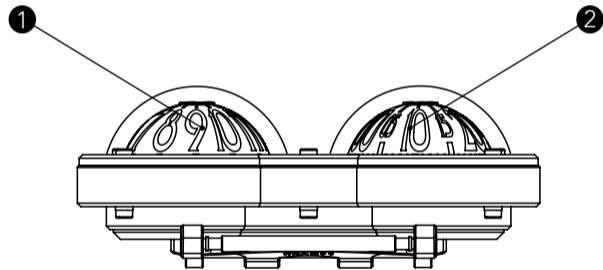
TIME SETTING

09

REFLECTING THE BATTLE-AXE SYMBOL

11

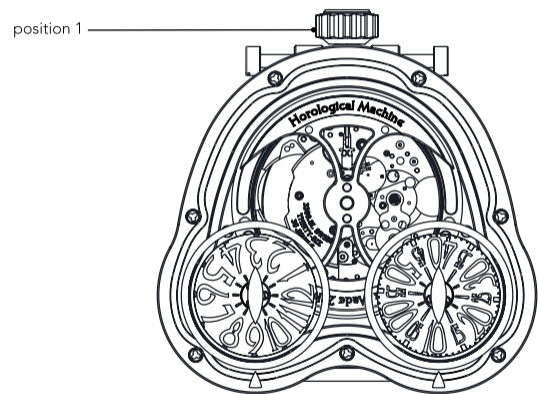
HM3 FROG X



FUNCTIONS

- ① Hours
- ② Minutes

HM3 FROG X

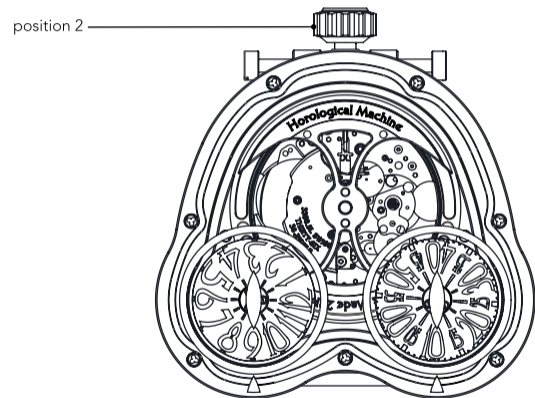


OPERATING INSTRUCTIONS - WINDING

Your watch is equipped with an automatic movement.

If it has stopped, turn the crown (position 1) a few turns clockwise.

HM3 FROG X

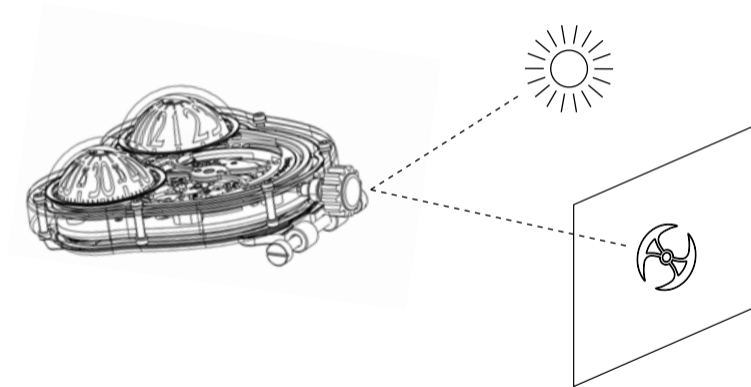


OPERATING INSTRUCTIONS - TIME SETTING

Put the crown "out" (position 2) and rotate to set the time.

The time can be set forwards or backwards by rotating clockwise or anti-clockwise.

HM3 FROG X



REFLECTING THE BATTLE-AXE SYMBOL

The polished Frog X crown has the unique ability to reflect a secret message: placing the crown at a certain angle under light rays (especially sunlight) will generate a reflection of the MB&F battle-axe symbol.

More about this technology at www.rayform.ch

